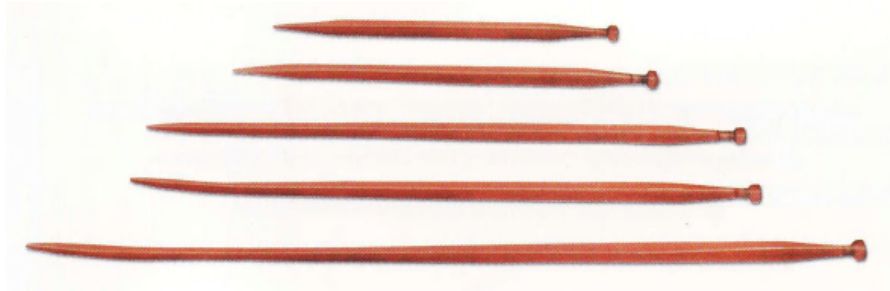




ECONOMY TINES

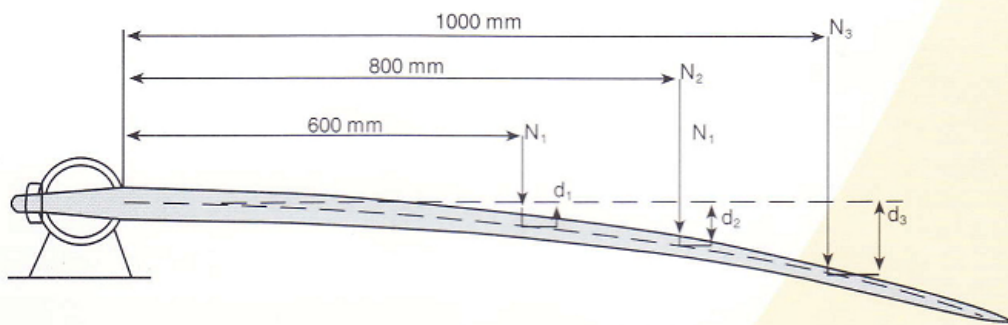


ECONOMY TINES FOR SILAGE AND MANURE FORKS CONUS I



Specifications after heat treatment
Tensile Strength : 150 kp/mm²
Tightening torque for nut : 280 - 315 ft lb

Quality test :



Part Number	Description	Size	Retail
MI KK221151	810MM Straight Pointed End	Conus I	\$52.80
MI KK221152	1100MM Straight Pointed End	Conus I	\$68.20
MI KK221155	1000MM Straight Pointed End	Conus I	\$61.60
MI KK221191	600MM Curved Pointed End	Conus I	\$41.80
MI KK221194	680MM Curved Pointed End	Conus I	\$56.10
MI KK221195	830MM Cranked Pointed End	Conus I	\$66.00
MI KK221095	Sleeve (Slotted)	Conus I	\$18.43
MI KK221099	Sleeve (Standard)	Conus I	\$15.95

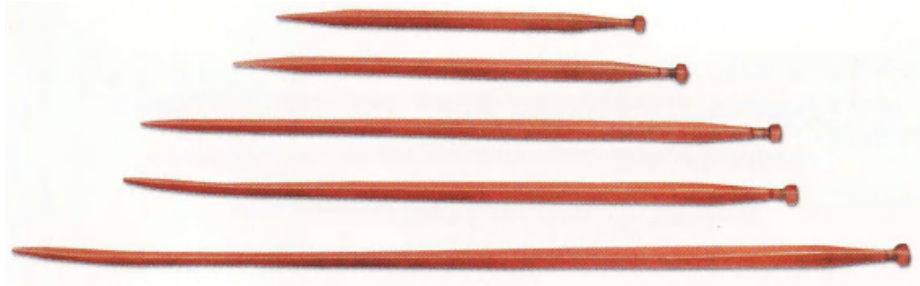
ALL PRICES INCLUDE GST. DO NOT INCLUDE FREIGHT



Tines must be tightened periodically. If tines break by the nut, the tine is NOT covered under warranty

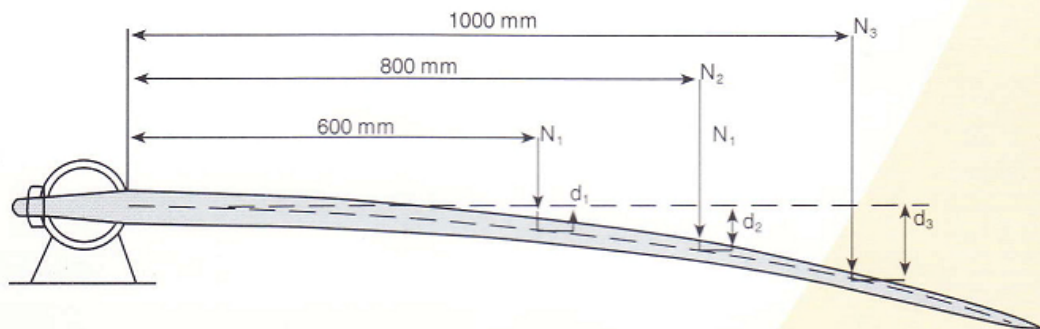


ECONOMY TINES FOR SILAGE AND MANURE FORKS CONUS II



Specifications after heat treatment
Tensile Strength : 150 kp/mm²
Tightening torque for nut : 280 - 315 ft lb

Quality test :



Part Number	Description	Size	Retail
MI KK241160A	820mm Straight Pointed End	Conus II	\$75.90
MI KK241161A	980mm Straight Pointed End	Conus II	\$85.80
MI KK241162A	1240mm Straight Pointed End	Conus II	\$104.50
MI KK241163A	1400mm Straight Pointed End	Conus II	\$115.50
MI KK241166A	1100mm Straight Pointed End	Conus II	\$86.90
MI KK221096	Sleeve (Standard)	Conus II	\$20.90

ALL PRICES INCLUDE GST. DO NOT INCLUDE FREIGHT



Tines must be tightened periodically. If tines break by the nut, the tine is NOT covered under warranty